

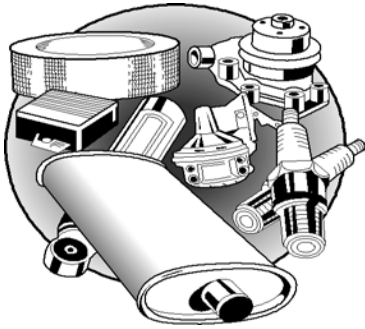


Educational Services

180 Parkdale Avenue North, Hamilton, Ontario L8H 5X2
Ph. (905) 548-9848 // Fax (905) 548-6682
reception@educationalservices.ca // www.educationalservices.ca

Educational Services is proud to present our new...

Auto Parts Specialist Program



This program requires 120 hours of classroom instruction – available in four to six hour days - and is continuous intake. It is designed to prepare students for employment in the auto industry. Subjects include: customer service, parts inventory, parts counter, and delivery. 6 – 8 week monitored co-ops are also available.

Cost: Program - \$3,000.00 + GST
Co-Op Monitoring Fee - \$25.00 per week + GST

Course Prerequisite: Grade 10 equivalency

Course Content:

- **General Operations**
- **Customer Relations and Sales Skills**
- **Vehicle Systems** – *Engine Mechanical Parts, Camshafts, Valves & Valvetrains, Lubrication Systems, Cooling Systems, Fuel Systems, Ignition Systems, Exhaust Systems, Engine Management & Emissions Control Systems, Manual Transmissions & Transaxles, Automatic Transmissions & Transaxles, Drivetrain Components, Brakes, Suspension & Steering, Heating & Air Conditioning, Electrical/Electronic Systems, Battery, Charging & Starting Systems, Body Repair & Refinishing, Miscellaneous*
- **Vehicle Identification**
- **Cataloging Skills**
- **Inventory Management**
- **Merchandising**